



## PolyFAR polyphosphate dosing filter

Art.2410



### INSTRUCTIONS AND WARNINGS



Carefully read the following instructions before installing or carrying out maintenance of the component. FAR RUBINETTERIE S.p.A. declines all liability related to improper use of the product. Keep the manual in a safe place for future reference.

**WARNING:** Pay attention to use only original FAR refill cartridges. PolyFAR is an equipment for the treatment of drinking water. FAR approves exclusively original refill cartridges, art.9452.

**WARNING:** Install PolyFAR on the cold water pipeline upline of the domestic hot water supply system, as boiler or water heater, or upline of the washing appliance to be protected, as washing machines and dishwashers. Other types of installation are prohibited.

**WARNING:** This device requires periodical maintenance in order to guarantee the potability requirements of the treated water and maintenance of the performances declared by the manufacturer.

**WARNING:** After a period of inactivity of the system, always carry out an adequate flushing of both cold and hot water from the different withdrawal points.

Contact a qualified plumber to install PolyFAR and obtain a regular Declaration of Conformity

### INTRODUCTION

PolyFAR is a proportional polyphosphate dosing filter for the limescale and anticorrosive treatment in the production plants of domestic hot water. The operation of PolyFAR takes advantage of the depression produced by the water that passes through the cartridge, allowing the aspiration of the polyphosphate solution. A special design ensures the correct dosage with variable water flow even in compliance with current regulations.

Thanks to the polyphosphates and the integrated safety steel filter, PolyFAR features 2 different functions:

1. Protection against limestone
2. Filtration of impurities

PolyFAR integrates an interception valve in the brass body that allows to replace the refill cartridge without intervene on other interception bodies. PolyFAR can be installed to protect boilers, water heaters, dishwashers and washing machines. The use of polyphosphates for limescale prevention offers good performance with medium or hard water, up to 30 ° f. Water with higher hardness values may require the addition of a water softener to protect the entire system. Temperature is also important, as on increase of the temperature the efficiency of the polyphosphates decreases in proportion: in the case of a temperature higher than 70 ° C, even treated water may be subject to the precipitation of calcium carbonate and magnesium (limestone).

**COMPONENTS:**

**A) Fitting with non-return valve**

To install on the selected outlet connection (OUT), it must be connected on the boiler side following the direction of the arrow on the body. Inside there is a non-return valve that prevents the emptying of the downstream pipeline of the component during maintenance operations.

**B) Ball valve**

Incorporated on the inlet connection (IN) of the water coming from the water mains, it allows to exclude water passage to carry out maintenance

**C) Closing plug**

To install on the not used outlet connection (OUT)

**D) Body**

Upper part, made of brass

**E) Venturi filter cartridge**

Inside there is the filtering mesh that can be removed for cleaning during maintenance

**F) Polyphosphate refill, art. 9452**

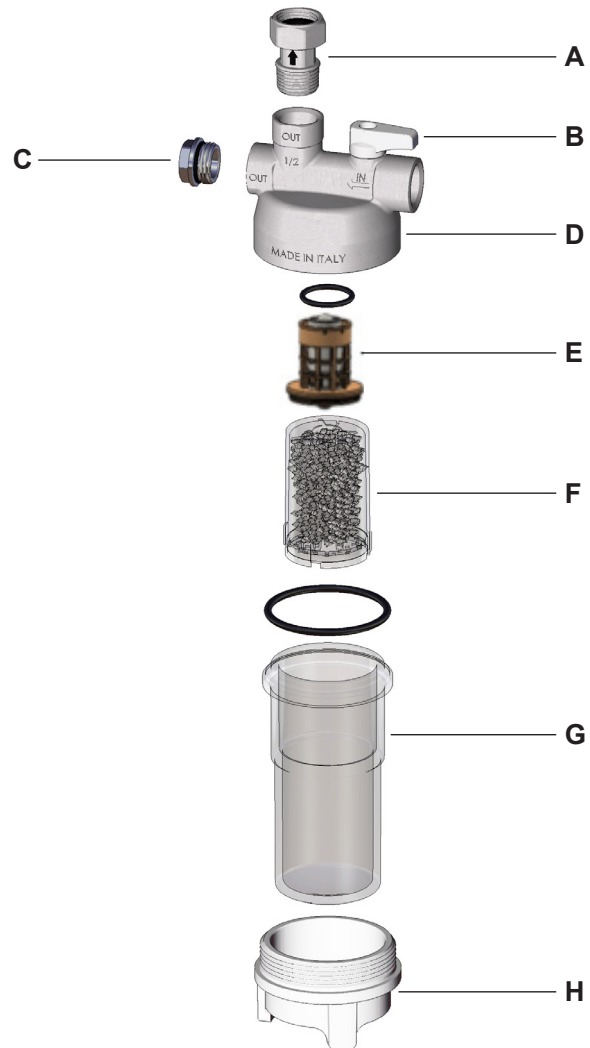
Polyphosphates solution

**G) Socket**

Lower part of the dosing filter, it contains the polyphosphate refill

**H) Nut**

Connection nut between the body and the socket



**INSTALLATION**

Install PolyFAR on the cold water pipeline upline of the domestic hot water supply system (boiler, water heater, etc.) or upline of the washing appliance to be protected (washing machine, dishwasher, etc.). Thanks to the filter with steel mesh of 100 µm integrated in the cartridge, it is not necessary to install any additional safety filter to protect the hot water production system (as indicated in the UNI 8065 standard).

PolyFAR can be installed on both L-shaped and straight pipelines thanks to the special three-connection fitting



- PolyFAR can be installed vertically or horizontally but not upside down, respecting the flow direction indicated by the arrows on the body (as shown in the above installation examples)
- Do not install PolyFAR in conditions of possible frost or with direct exposure to atmospheric agents (in this case, use the protection shell, art. 2411 12CT)
- Check the need for a water hammer device to protect the PolyFAR

Before starting up, check that there are no hydraulic leaks by slowly opening the interception devices

**MAINTENANCE:**

Periodically check the refill status of the polyphosphates, just looking through the transparent socket

In case of prolonged non-use:

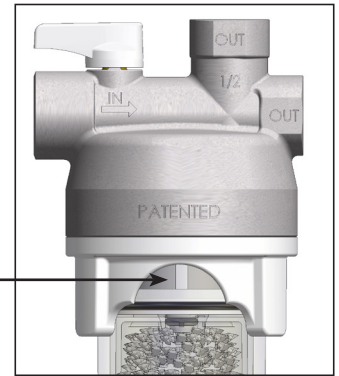
• **Stop > 1 week**

After a period of inactivity of more than one week, we recommend flushing water.

• **Stop > 6 months**

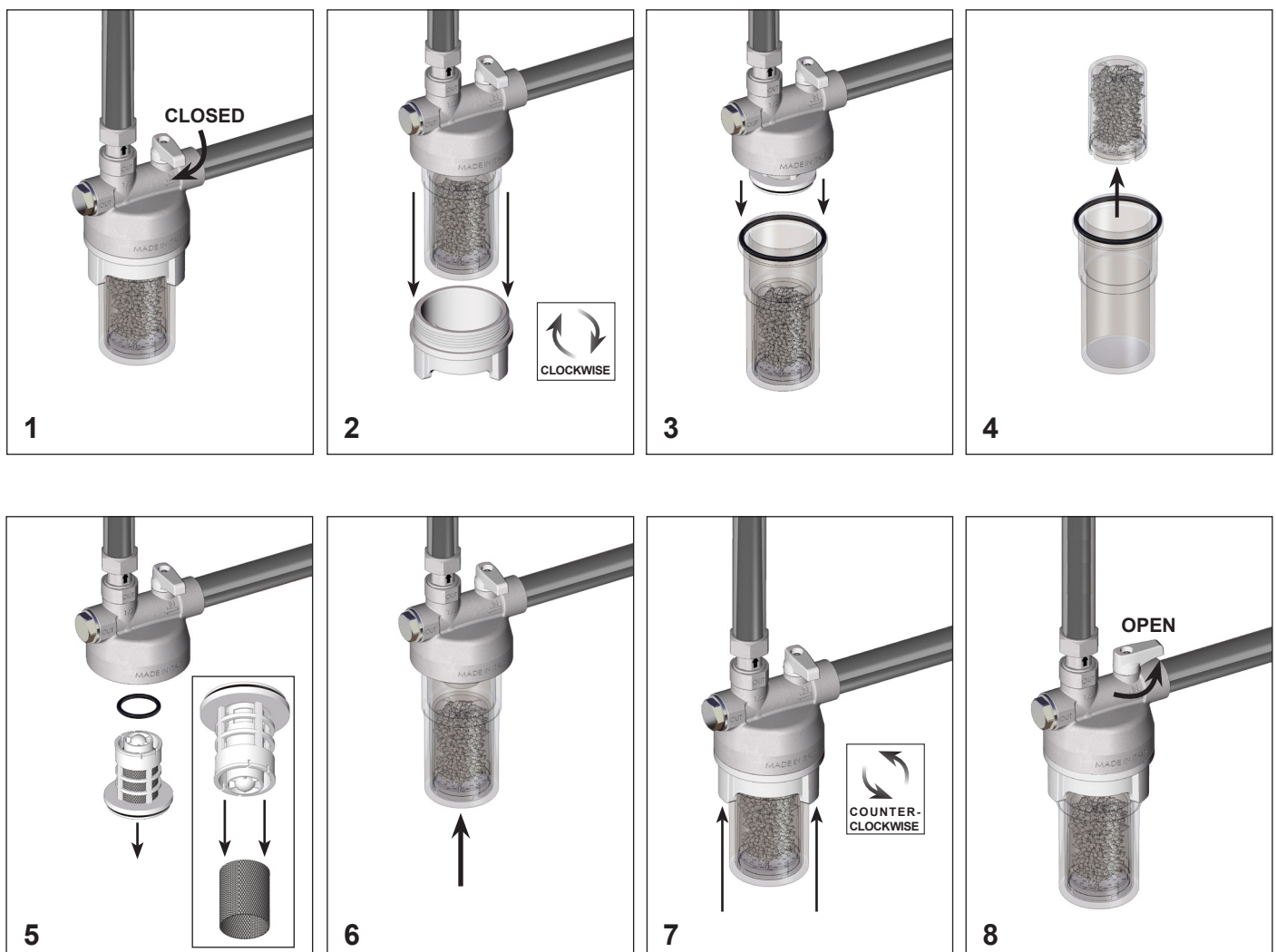
After a period of inactivity of more than 6 months, it is necessary to replace the salts inside the device and carefully wash the salt container

Through the nut holes, you can check if the filter is full.



**HOW TO REFILL**

1. Close the shut-off valve. Thanks to the fitting with non-return valve, PolyFAR is isolated from the system. Release the pressure by opening a tap downline of the component
2. Unscrew the lock nut B turning clockwise
3. Remove the socket
4. Remove the spent cartridge from the socket. The cartridge is made of polypropylene (PP) and is therefore recyclable
5. Rinse the socket with water and clean the steel filter (warning: do not use alcohol or detergent)
6. After checking the condition of the two o-rings, insert the filter cartridge and reposition the socket with the new polyphosphate refill.
7. Tighten the lock nut
8. Re-open the shut-off valve



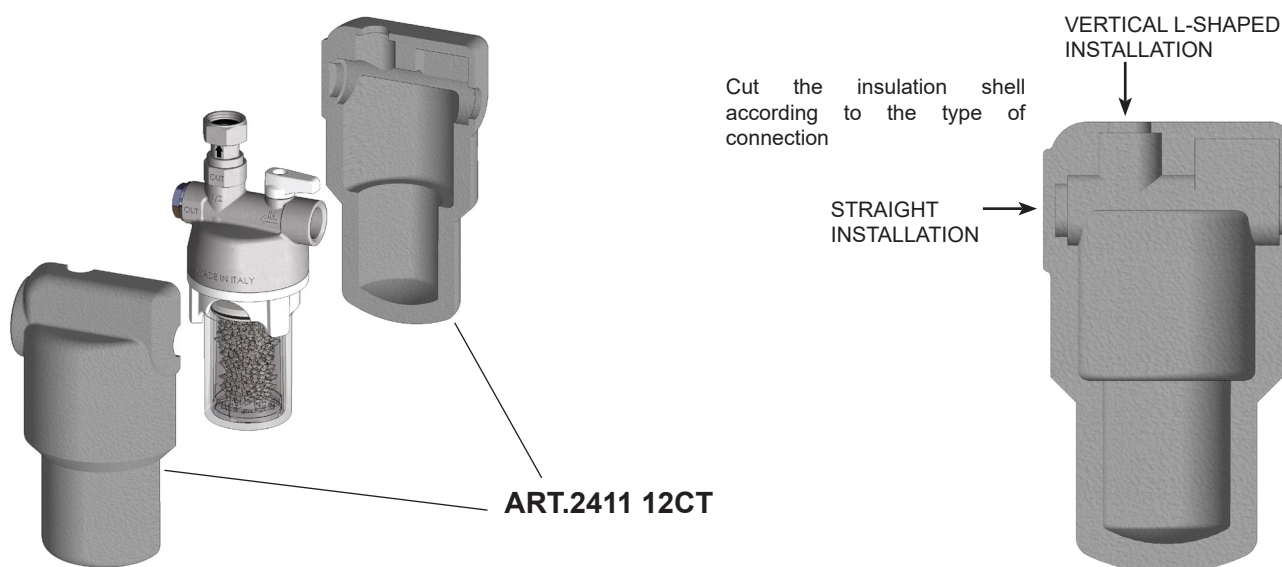
## TECHNICAL DATA

- Maximum working pressure: 8 bar
- Room temperature: : 5 ÷ 40 °C
- Working temperature: : 5 ÷ 30 °C
- Socket material: Grilamid® TR
- Threaded body material: CW617N brass (with external chrome plating)
- Sealing gaskets: peroxide EPDM
- Flow factor Kv: 1,5 m3/h
- Treated water for refill: 35 - 40 m3 (guideline refill lifetime: 4 months)\*
- Connections: 1/2" F (x3)
- Safety filter: 100 µm made of steel

\* Data refer to water with average hardness of 12 ° f, pH7, temperature of 20 ° C and average use of domestic hot water.

**POLYPHOSPHATE REFILL CODE: ART. 9452**

**INSULATION SHELL CODE: ART. 2411 12CT**



## TECHNICAL ASSISTANCE

For any problem related to PolyFAR, avoid tampering with the component and contact:

Ufficio Tecnico - FAR Rubinetterie SpA

Via Morena, 20

28024 GOZZANO (NO)

tel. 0322.94722/956450 - fax 0322.93952

E-mail: [servizio.tecnico@far.eu](mailto:servizio.tecnico@far.eu)

website: [www.far.eu](http://www.far.eu)

